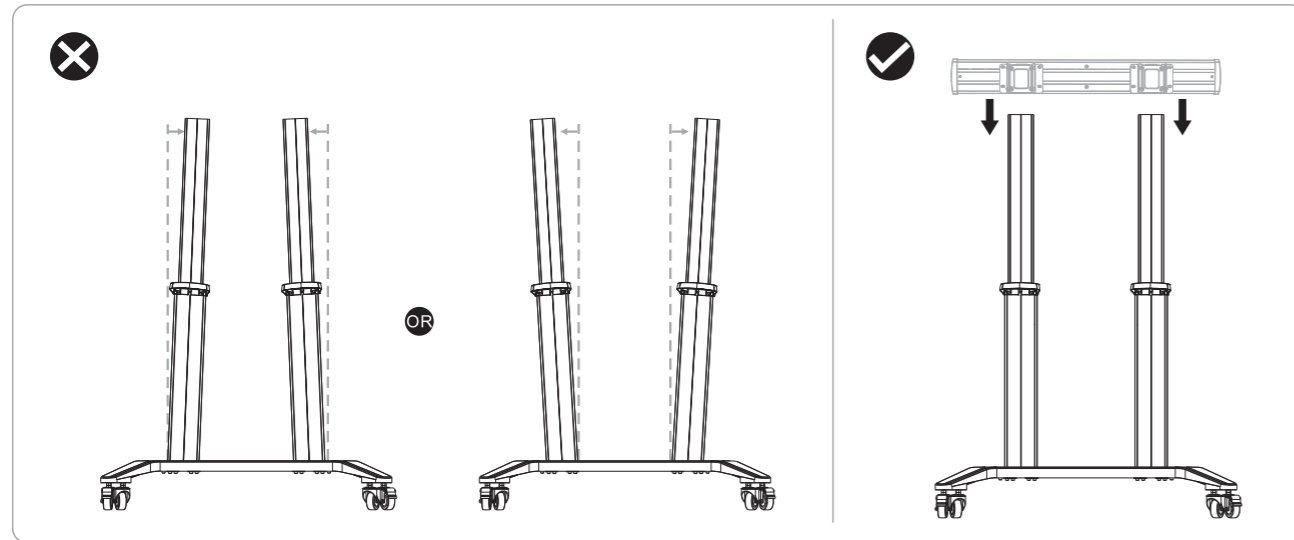
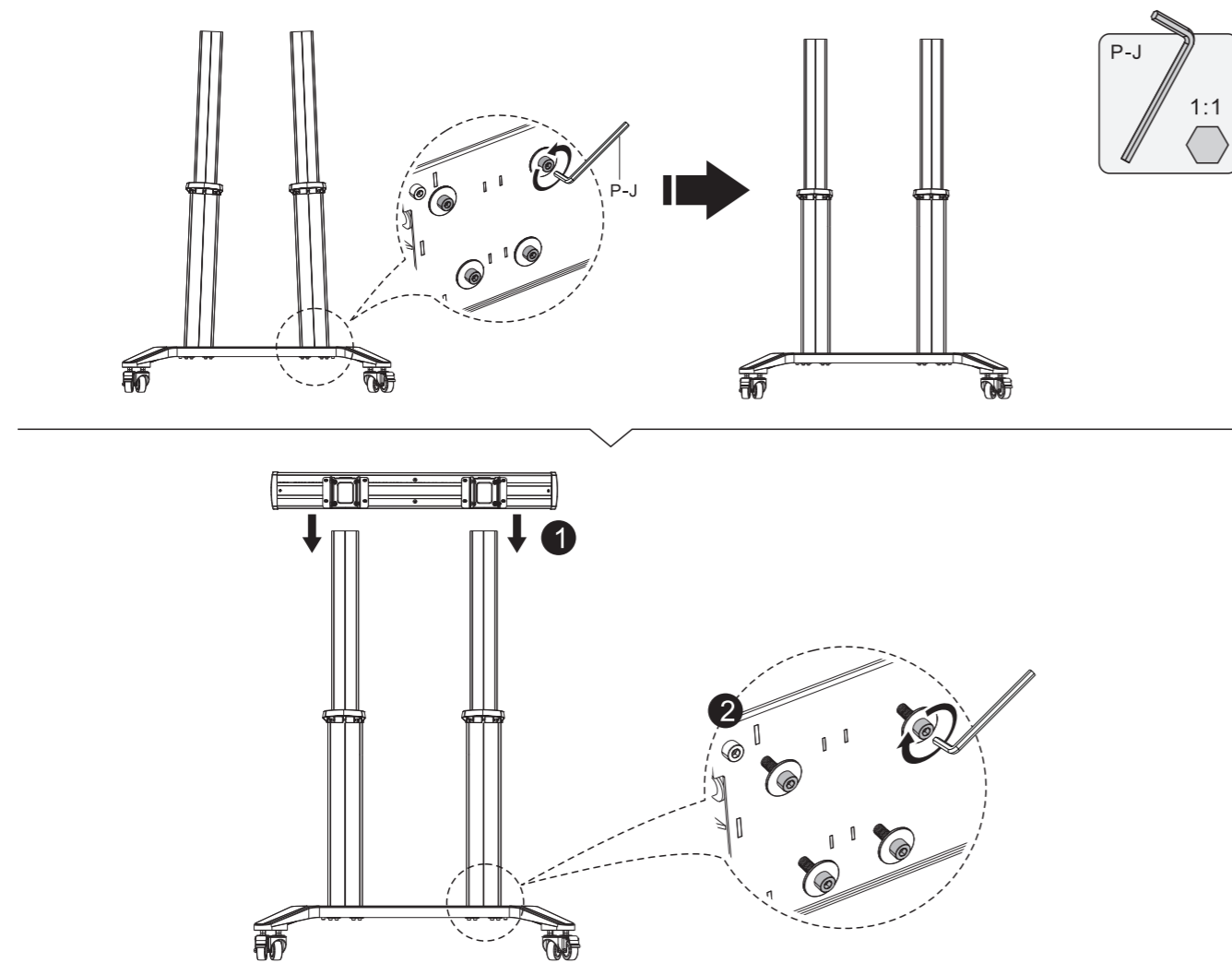


TROUBLESHOOTING



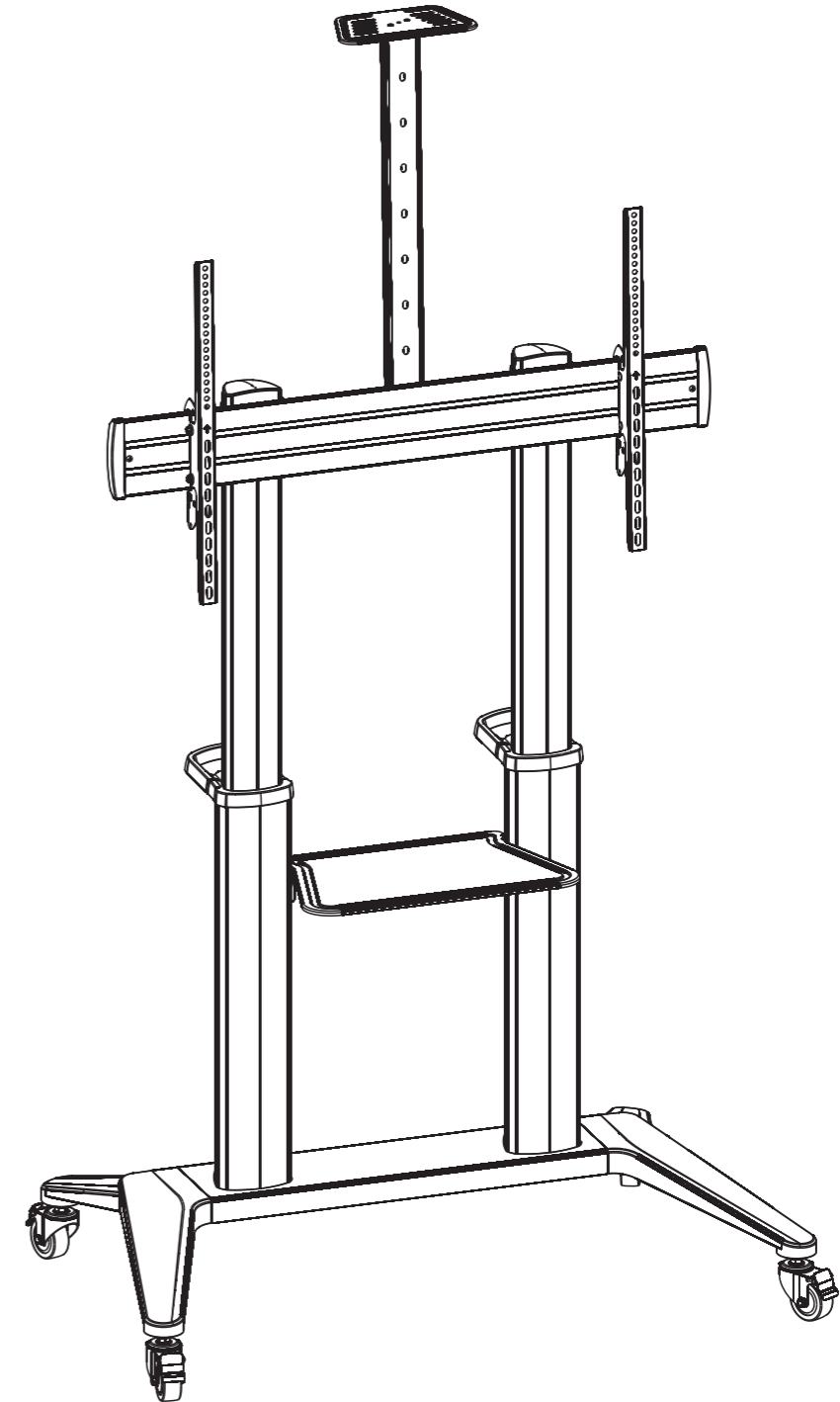
If the columns are not properly aligned, the mounting plate may fail to attach to the columns. Follow the steps below to re-assemble the columns.



Maintenance

- Check if the bracket is secure and safe to use at regular intervals(at least every three months).
- Please contact your distributor if you have any questions.

TV Cart



INSTALLATION MANUAL

TTL12-610TW



200x200/300x200
300x300/400x200
400x300/400x400
600x400/800x400
800x600/1000x600



rated for TV
140kg/308lbs

rated for DVD
5kg/11lbs

rated for CAMERA
5kg/11lbs

Read the entire instruction manual before you start installation and assembly. If you have any questions regarding any of the instructions or warnings, please contact your local distributor for assistance.

CAUTION

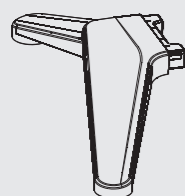
- Use with products heavier than the rated weights indicated may result in instability causing possible injury.
- Please closely follow the assembly instructions. Improper installation may result in damage or serious personal injury.
- Safety gear and proper tools must be used. This product should only be installed by professionals.
- Make sure that the supporting surface will safely support the combined weight of the equipment and all attached hardware and components.
- Use the mounting screws provided and DO NOT OVER TIGHTEN mounting screws.
- This product contains small items that could be a choking hazard if swallowed. Keep these items away from children.
- This product is intended for indoor use only. Using this product outdoors could lead to product failure and personal injury.

Requirement for Installation

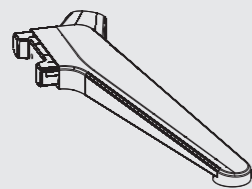


Component Checklist

IMPORTANT: Ensure that you have received all parts according to the component checklist prior to installation. If any parts are missing or faulty, contact your place of purchase for a replacement.



left leg
A (x1)



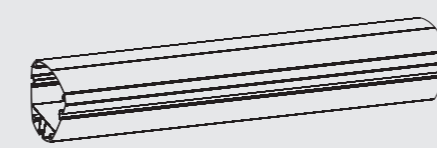
right leg
B (x1)



cross bracket
C (x1)



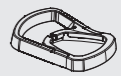
caster
D (x4)



lower column
E (x2)



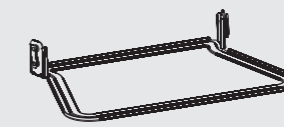
upper column
F (x2)



handle
G (x2)



mounting plate assembly
H (x1)



AV equipment shelf
I (x1)



left TV bracket
J (x1)



right TV bracket
K (x1)



camera shelf
L (x1)



connecting bracket
M (x1)



end cap
N (x2)



top cover
O (x2)

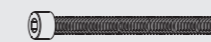


cable cover
P (x16)

Package P



washer
P-A (x8)



M8x80
P-B (x8)



M8x20
P-C (x16)



M5x8
P-D (x2)



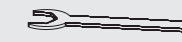
M8x12
P-E (x2)



spacer
P-F (x1)



M6 wrench
P-G (x1)



M12 wrench
P-H (x1)



5mm Allen key
P-I (x1)



6mm Allen key
P-J (x1)

Package M



M5x14 (x4)
M-A



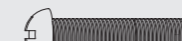
M6x14 (x4)
M-B



M6x30 (x4)
M-C



M8x30 (x4)
M-D



M8x50 (x4)
M-E



washer (x4)
M-F

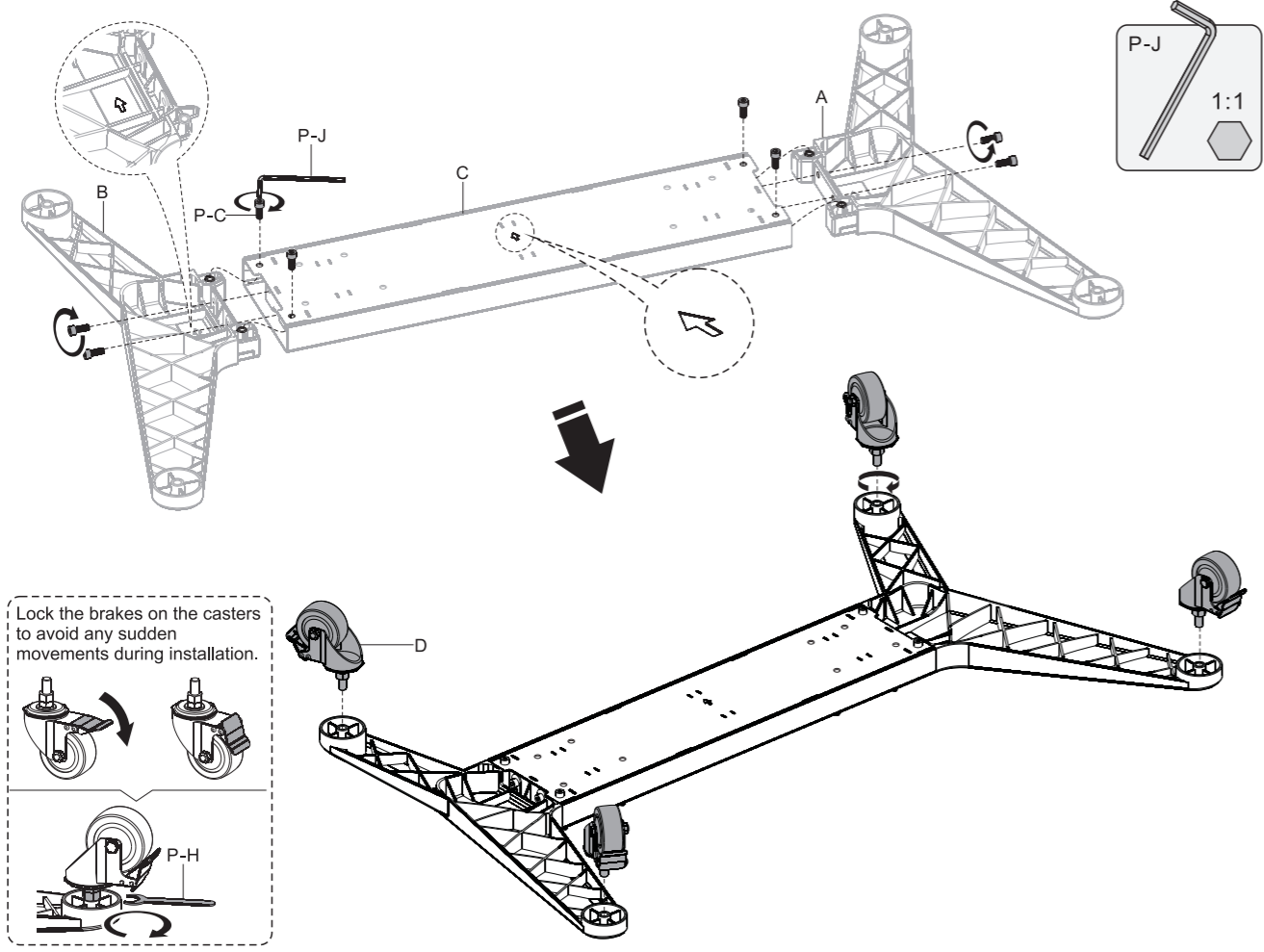


small spacer (x8)
M-G

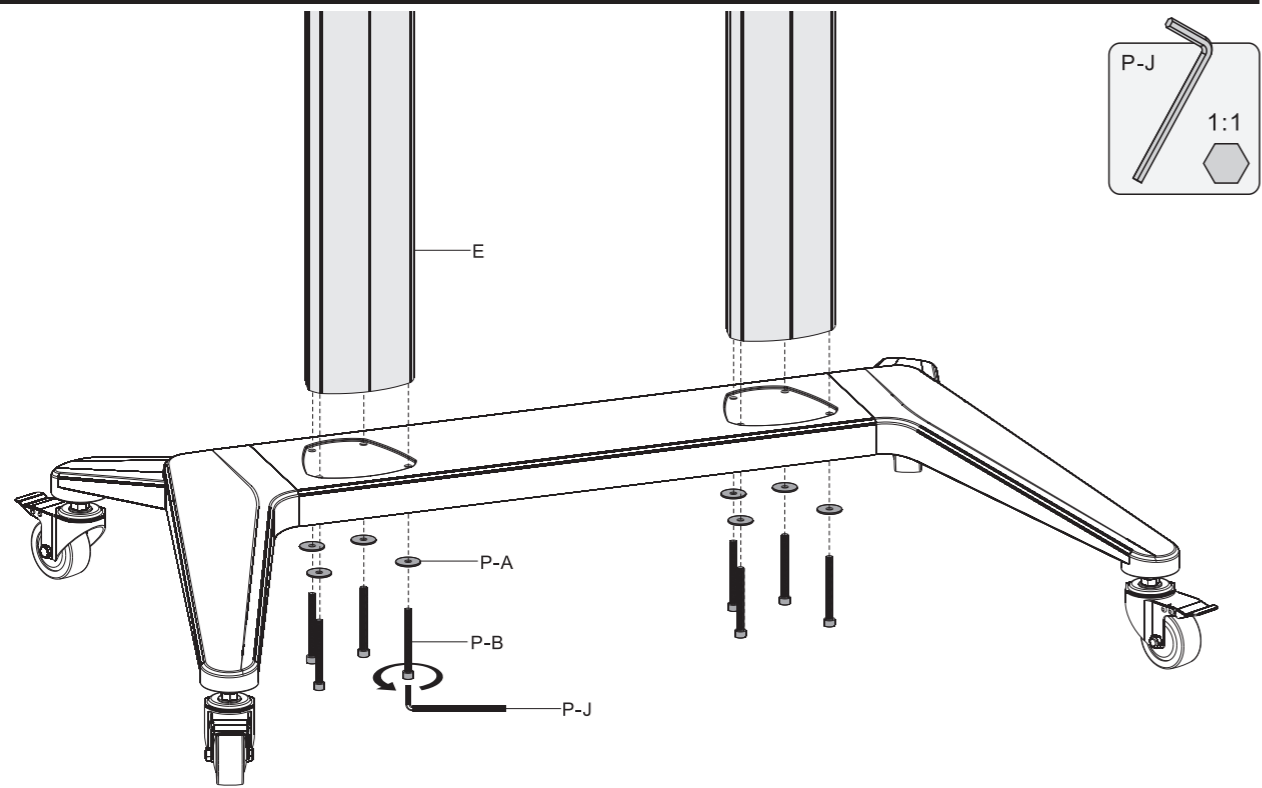


big spacer (x8)
M-H

1. Assemble the Base

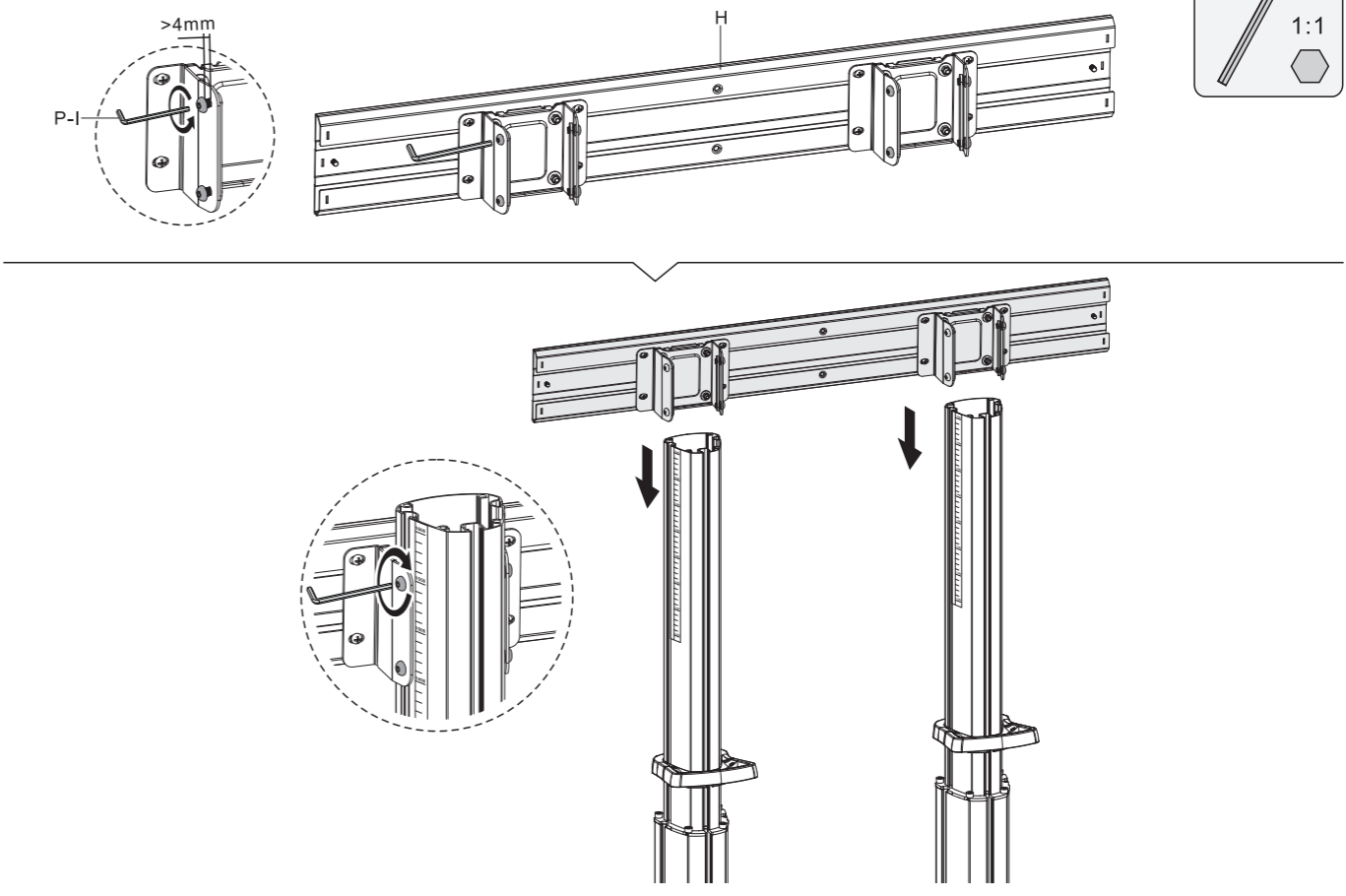


2. Assemble the Columns

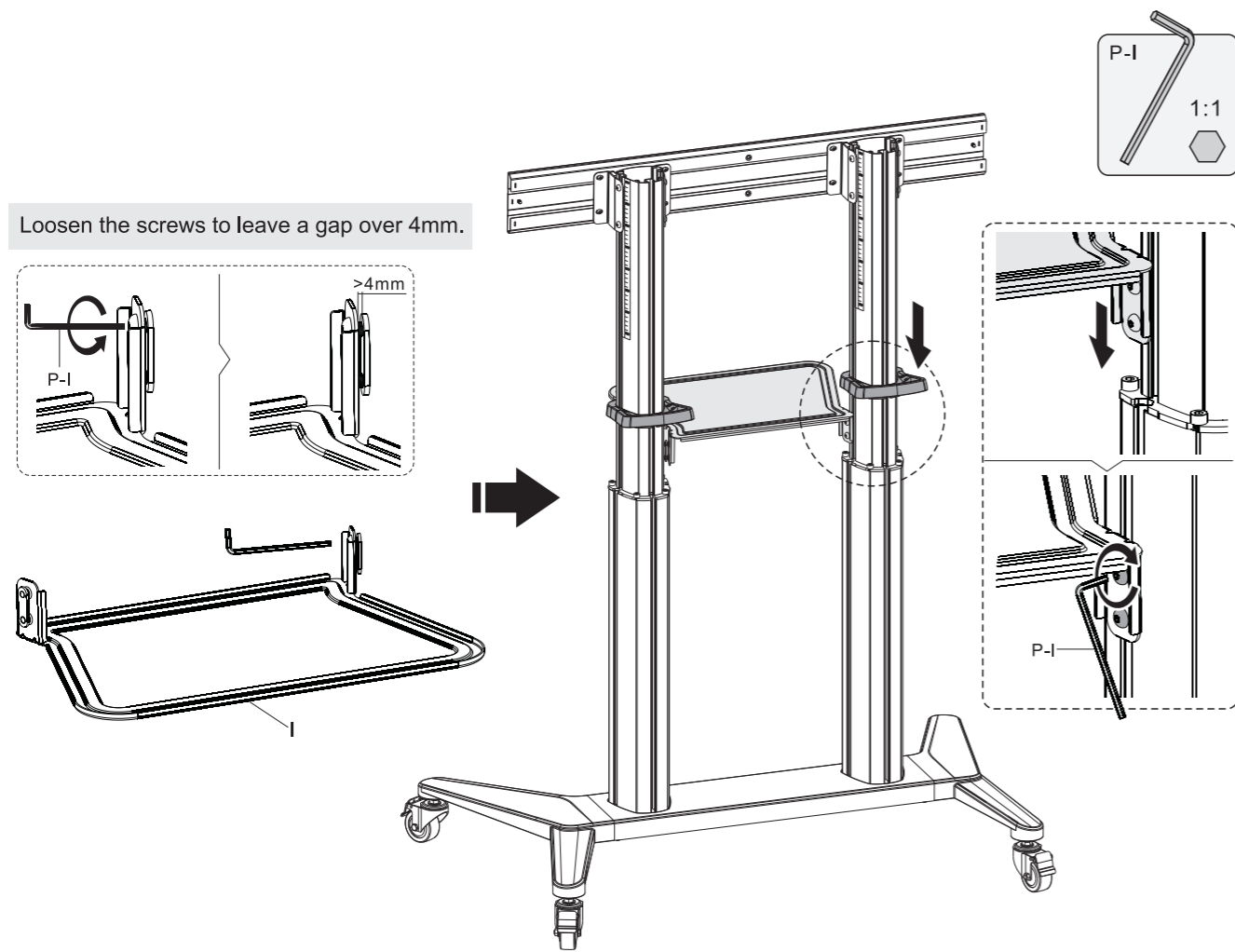


3. Attach the Mounting Plate to the Column

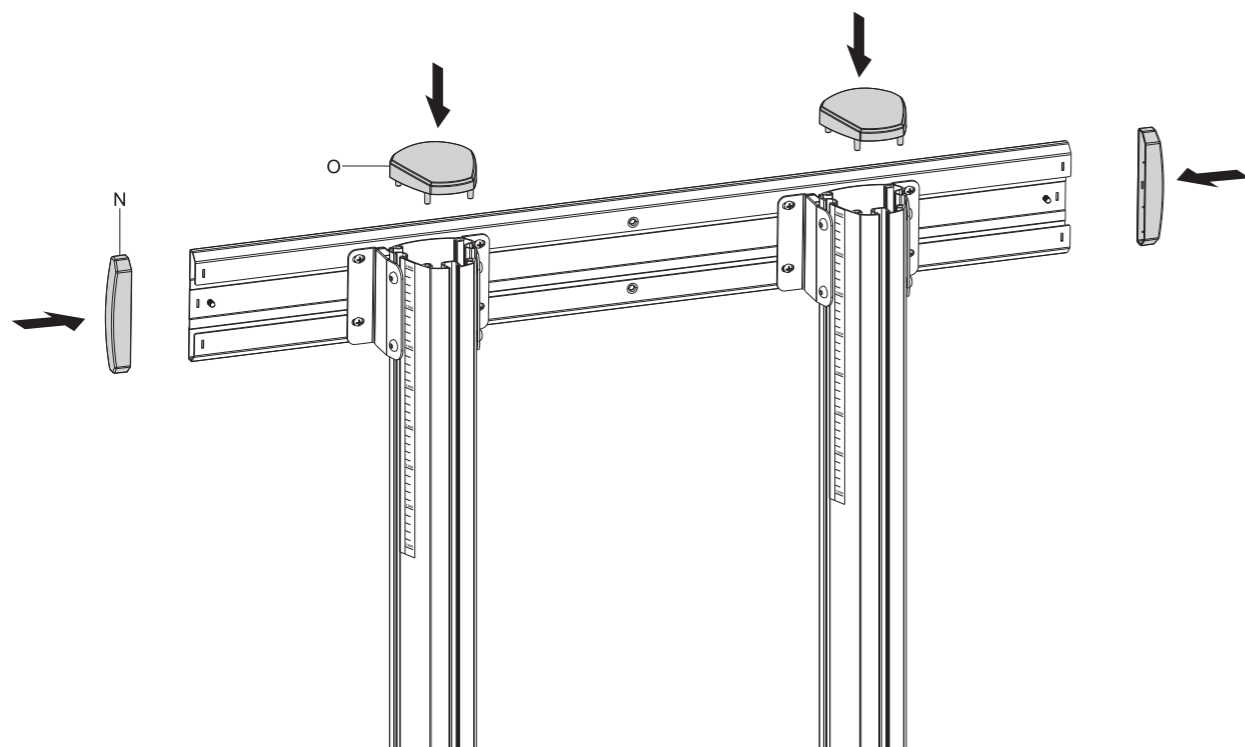
Loosen the screws to leave a gap over 4mm.



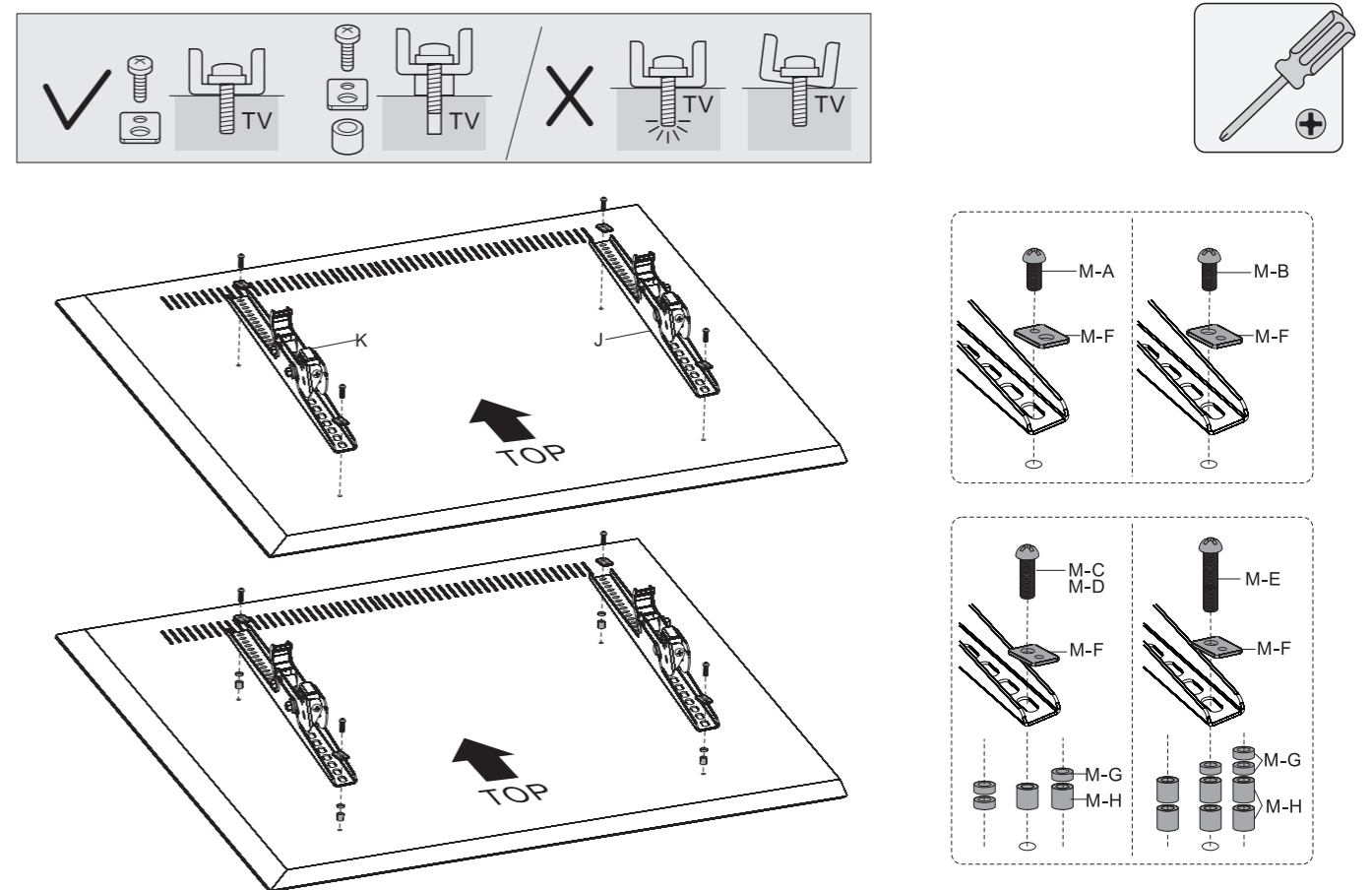
4. Assemble the AV Equipment Shelf



5. Assemble the Top Covers and End Caps

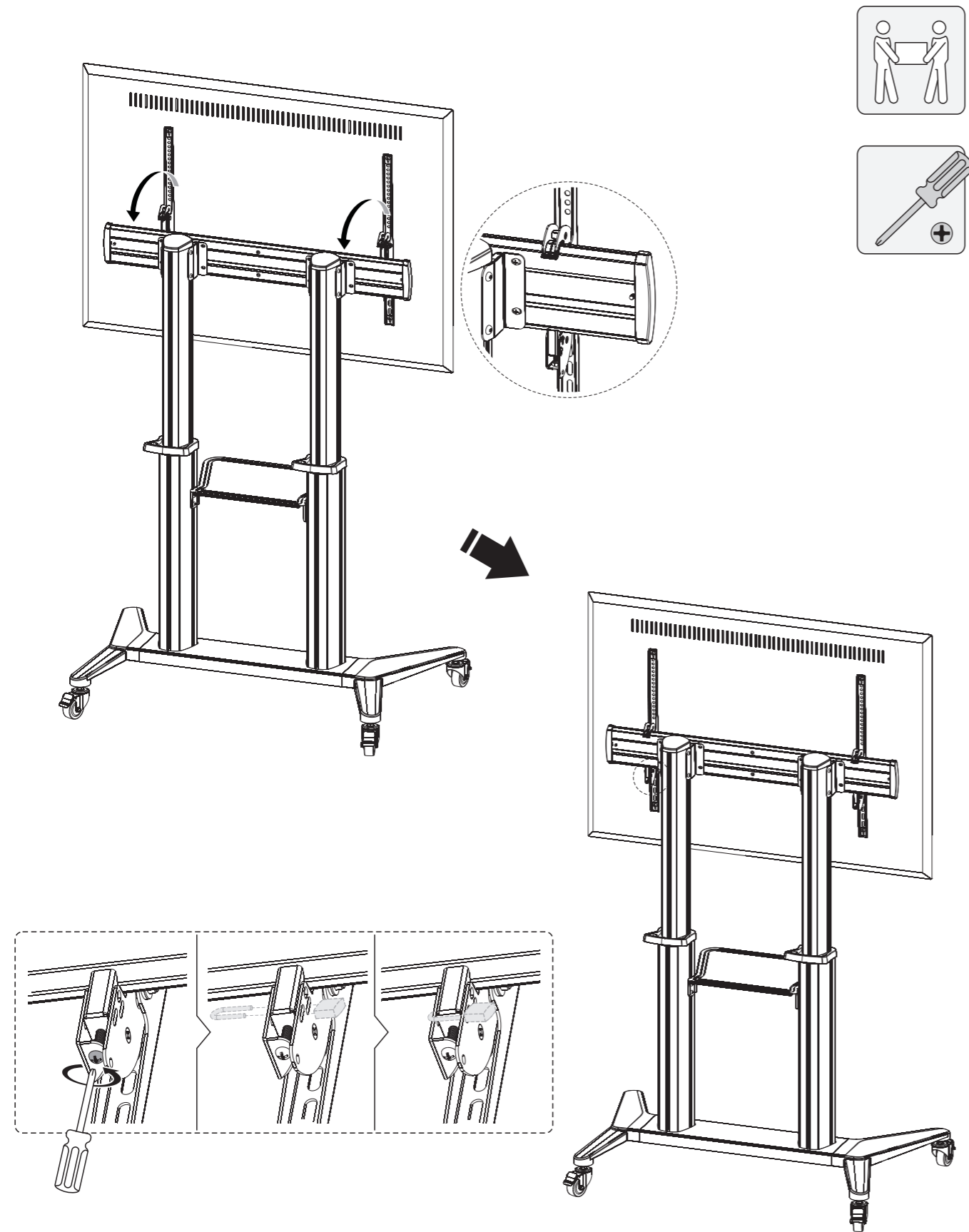


6. Attach TV Bracket to Flat Back Screen/Irregular Back Screen



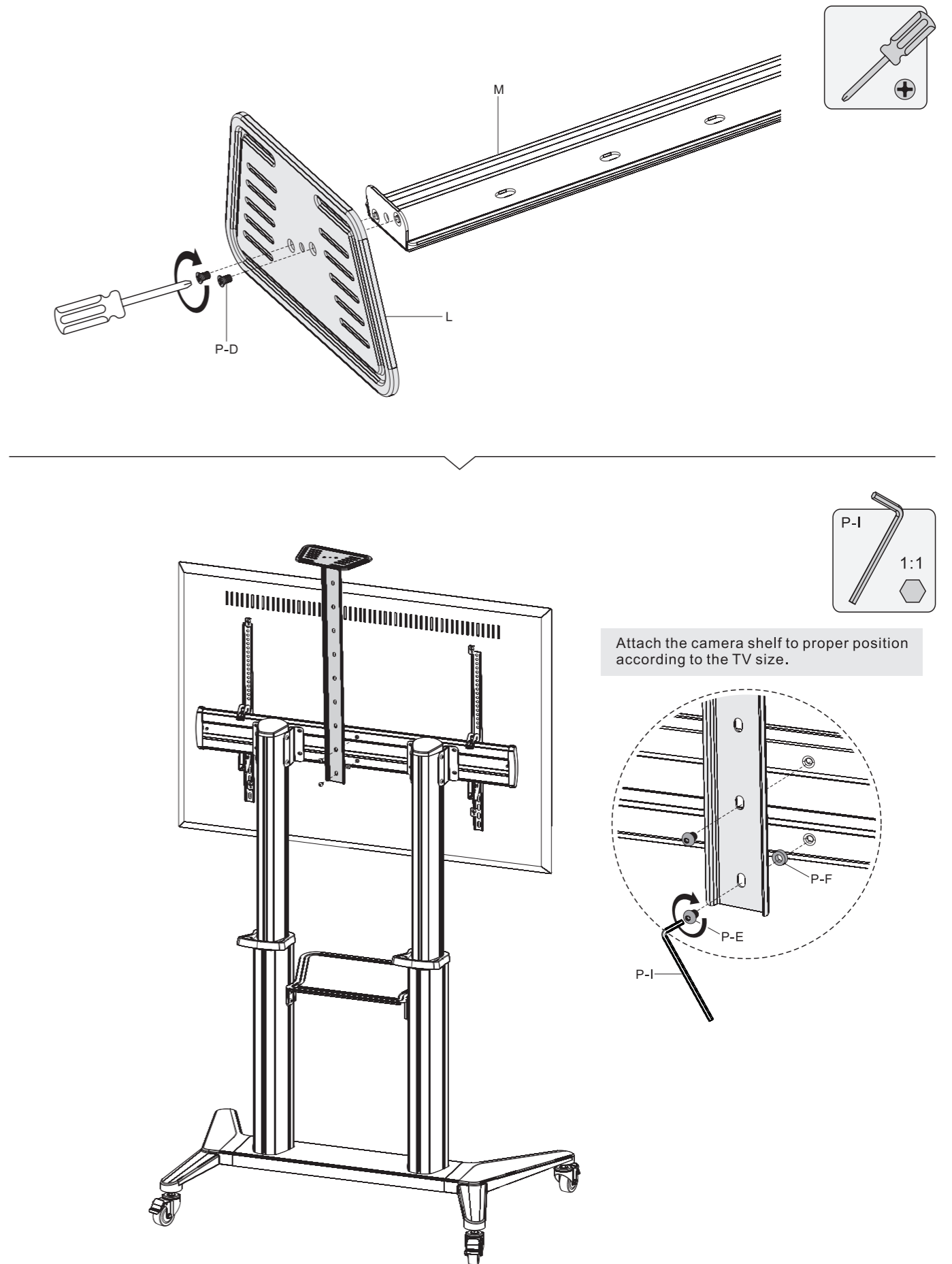
M-A			M-B		
M-F			M-C		
M-D			M-E		
M-F			M-G		
M-H					

7. Hang and Secure the Screen



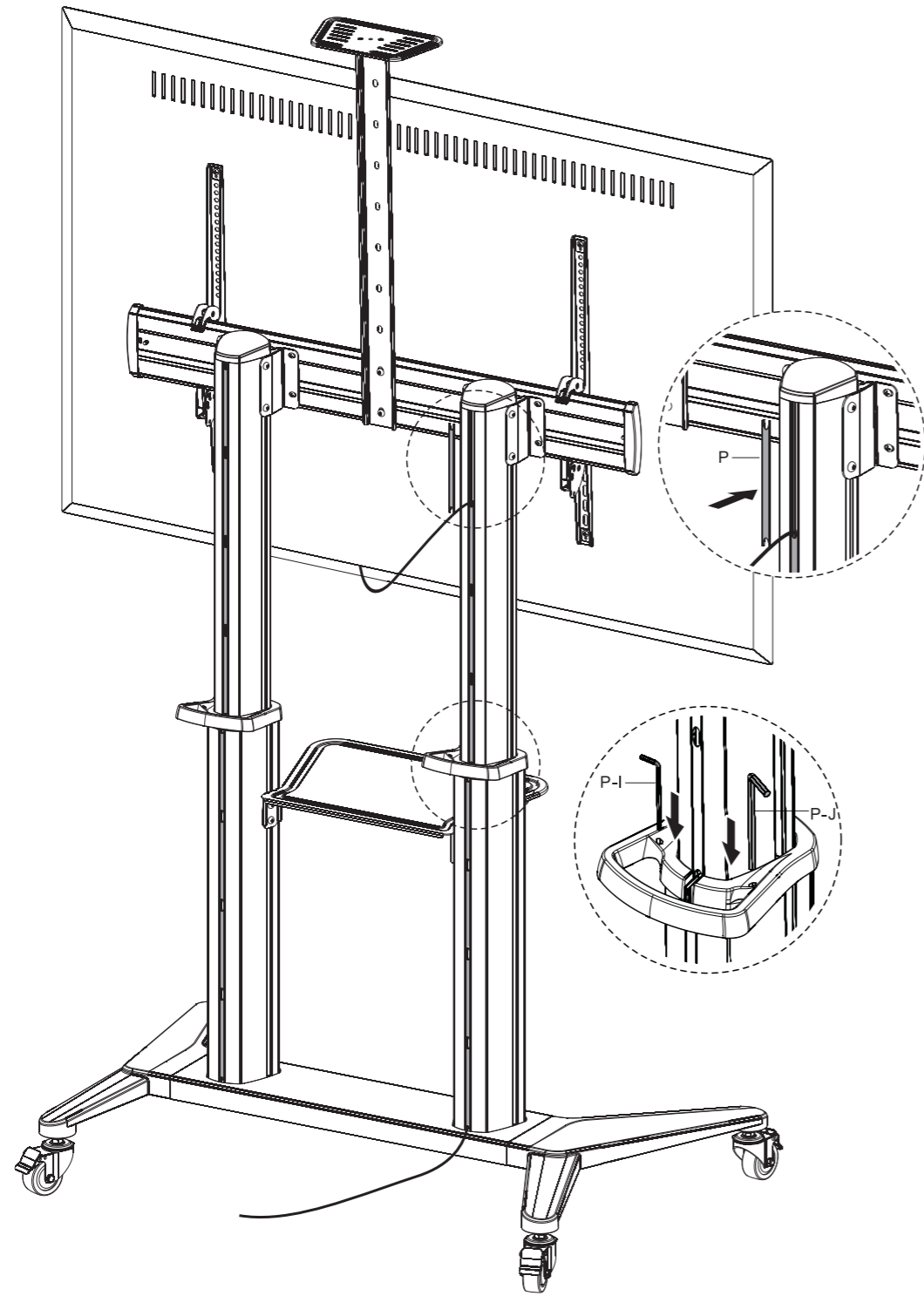
- Turn the bottom screw counterclockwise to tighten it.
 - Turn the bottom screw clockwise to loosen it.
 - Use a padlock to prevent the theft of display. (padlock is not included.)
- IMPORTANT:** Make sure the display is correctly mounted before releasing the display.

8. Assemble the Camera Shelf



Attach the camera shelf to proper position according to the TV size.

9. Cable Management



10. Adjustment

